

Actual Size: 30" x 52" x 40" • (76.2cm x 132.08cm x 101.6cm)

Shipping Size: 33" x 55" x 50" • (83.83cm x 139.7cm x 127cm)

Net Weight: 220lbs • (95.25kg)

Shipping Weight: 366lbs • (166.02kg)

Seat Width: 22" • (55.88cm)

Unoccupied Water Capacity: 80gal • (302.84L)

Occupied Water Capacity: 35-65gal • (132.49 - 246.05L)

Included Features (Soaking)

1. Acrylic shell gloss white finish fiberglass gelcoat reinforced
2. Stainless steel frame with adjustable leveling legs
3. Plastic composite and tempered glass outward swing door with 3 latch gear & shaft mechanism
4. Removable front apron with two access panels
5. One reversible end panel & extension panel 5"
6. Stainless steel chrome finish deck and wall-mounted grab bar
7. Two 2" 4-port PVC drains with 2 end caps included, 2 overflows, 2 stainless steel operated openers with extended handles in chrome finish

Jetting & Therapy Options

1. Air + Hydro (LED Chromatherapy Light Included)
2. Hydro + Hydro Independent Foot Massage (LED Chromatherapy Light Included) * (2)
3. Hydro Massage + Microbubble (LED Chromatherapy Light Included)
4. Hydro Massage (LED Chromatherapy Light Not Included)
5. Soaking



Jetting & Therapy Systems

Hydro Massage

- Hydro Massage Pump 7A
- Intensity Dial Air Control
- Ozone Sterilization 0.04A
- 13 jets (7 Seat Jets 6 Foot Jets)
- On/Off Push Control
- In-line Water Heater 6A 650W

Air Massage

- Air Massage Pump 4.5A 500W
- 3 Speed Pump
- Auto-purge (Activates 20 minutes after pump shutdown)
- 17 jets (11 Seat Jets 6 Foot Jets)
- On/Off push control

Optional Features

1. Heated Seat and Backrest
2. Digital Controller

Note: LED Chromatherapy light 0.5A with On/Off push control is included with the following dual packages: Hydro + Air, Hydro + Micro, Hydro + Hydro

Disclaimer*: AMP value for each pump may change based on availability. Please verify before purchase. (800.480.6850)

Hydro + Hydro Foot Massage * (2)

- 2 Hydro Massage Pumps 5A + 7A
- 2 Intensity Dial Air Controls
- Ozone Sterilization 0.04A
- 13 jets (7 Seat Jets 6 Foot Jets)
- On/Off Push Control
- In-Line Water Heater 6A 650W

Microbubble Therapy

- 1 HP Pump 7.3A
- Pressure Vessel
- On/Off push control
- Agitator Valve

Electrical Requirements

Dedicated GFCI protected electrical line(s) required 115/120V 60Hz

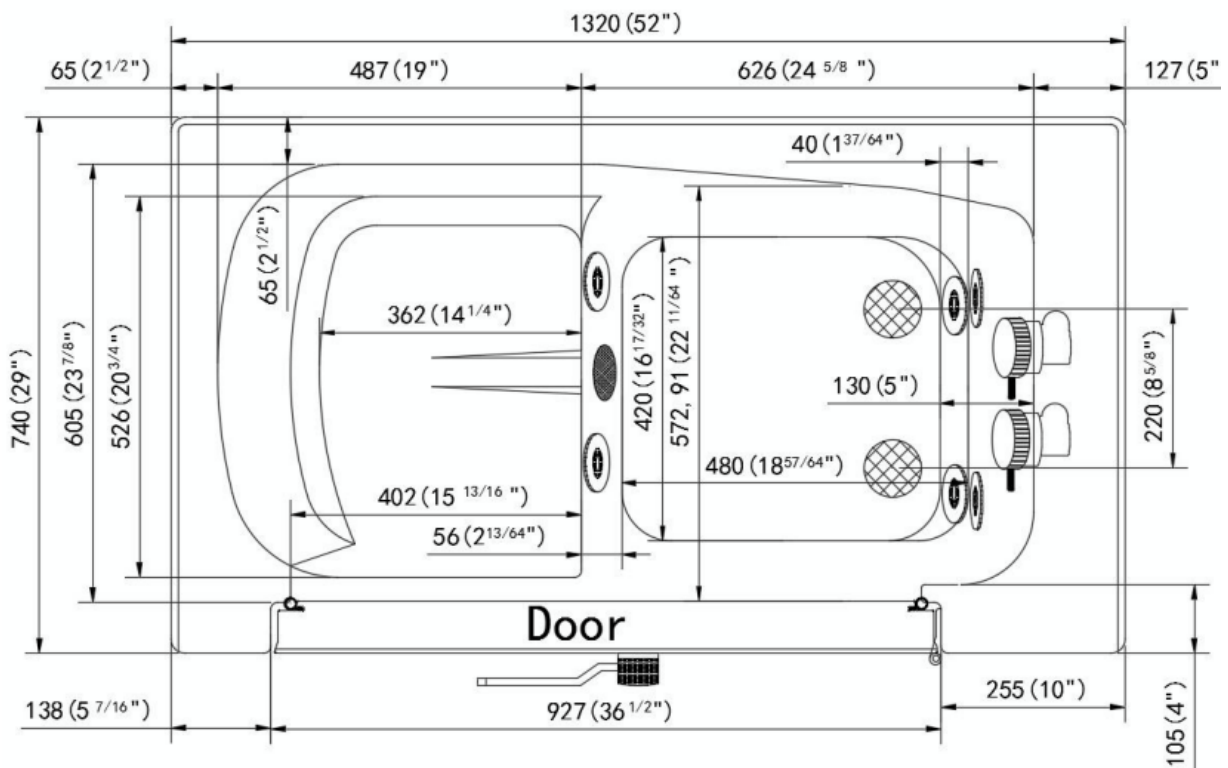
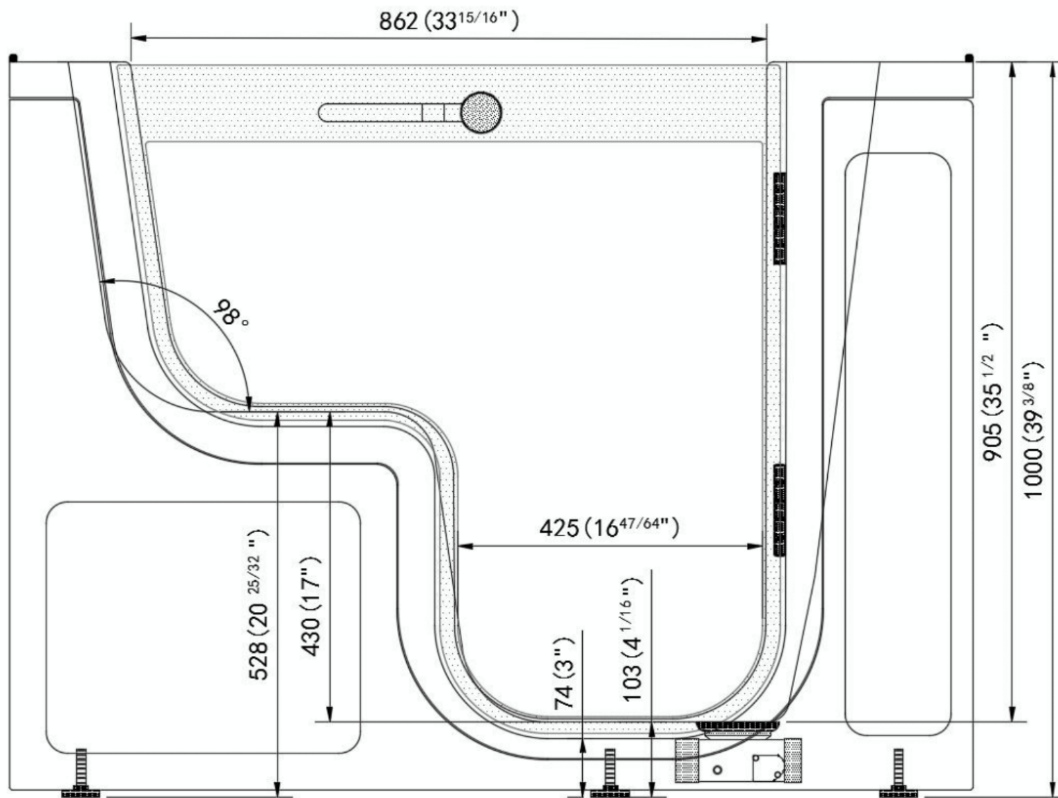
5 Piece Faucet

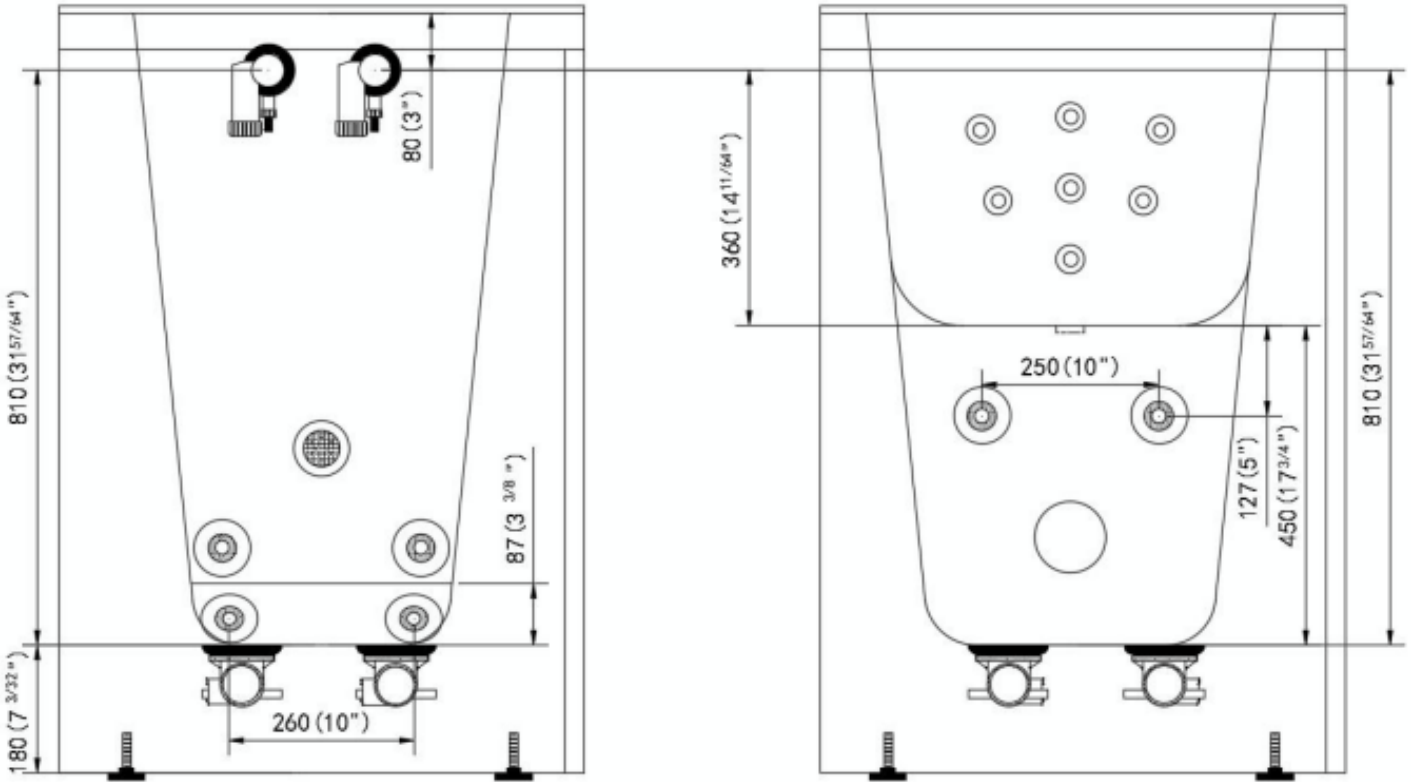
- Up to 18GPM @ 60PSI (at ideal in-home plumbing conditions)
- Two 5' Water Supply Lines 3/4"
- Pull out Hand Shower in Chrome Finish with a 5' Retractable Stainless Steel Braided Hose

Warranty

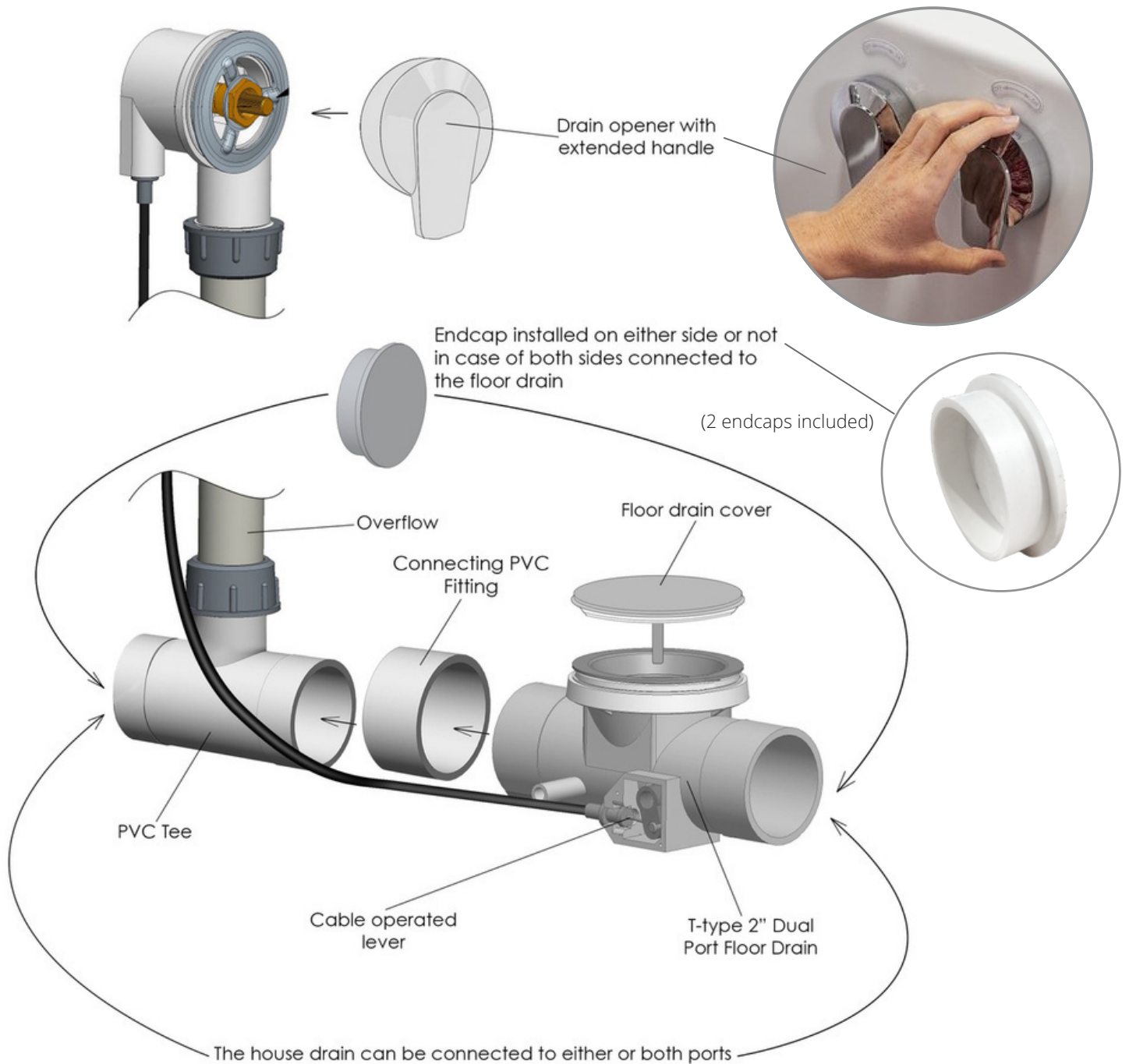
- Lifetime limited* warranty on shell, frame, door, and parts to original purchaser/Address
- Labor or installation is not covered - please refer to the Ella warranty certificate
- Non Ella brand faucets covered under manufacturers original warranty

Transfer30 Acrylic Wheelchair Accessible Outward Swing Door Walk-In Bathtub Specifications





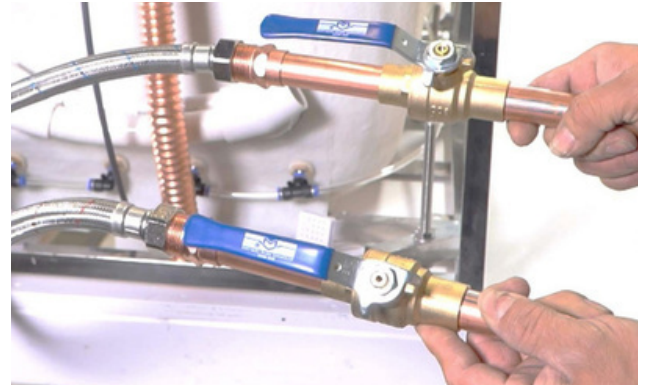
Dual Drain Technology - Two 2 Inch Independent Floor Drains



Two 3/4" connector water supply lines included with Ella Fast Fill Faucets



Connect to Shut Off Valves (not included)

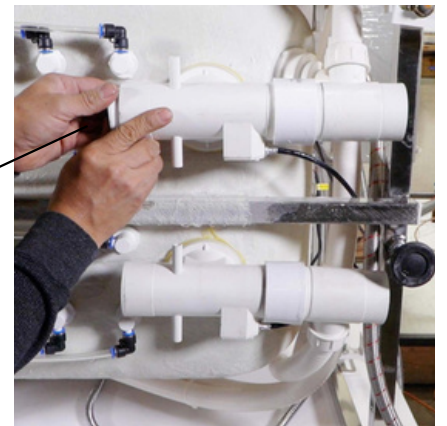


All electrical fixtures connect to a dedicated GFCI protected outlet.



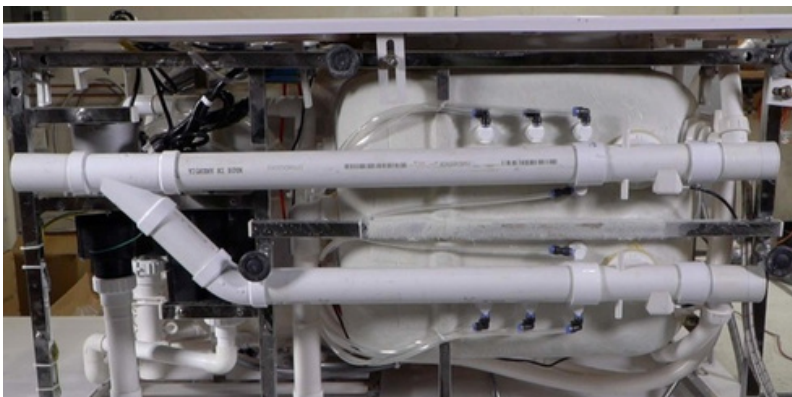
Drain Cap

Use a drain cap to close unused drain port.



T-Type four (4) 2" drain ports allow for the drain pipe to be installed in either direction.

Images below show examples of PVC pipe connections (not included). Reducers can be used to connect smaller drain pipes.



Description

Solid brass spout chrome finish single lever high flow bathtub faucet with diverter button Two (2) 3/4" 5' braided stainless-steel supply lines Pull out hand shower mixer with 5 settings and 5' braided hose in a Chrome finish.

Flow

- Hand shower is limited to 1.9 GPM (7.5L/min)
- Faucet fill rate designed for 18 GPM (68.1L/min)

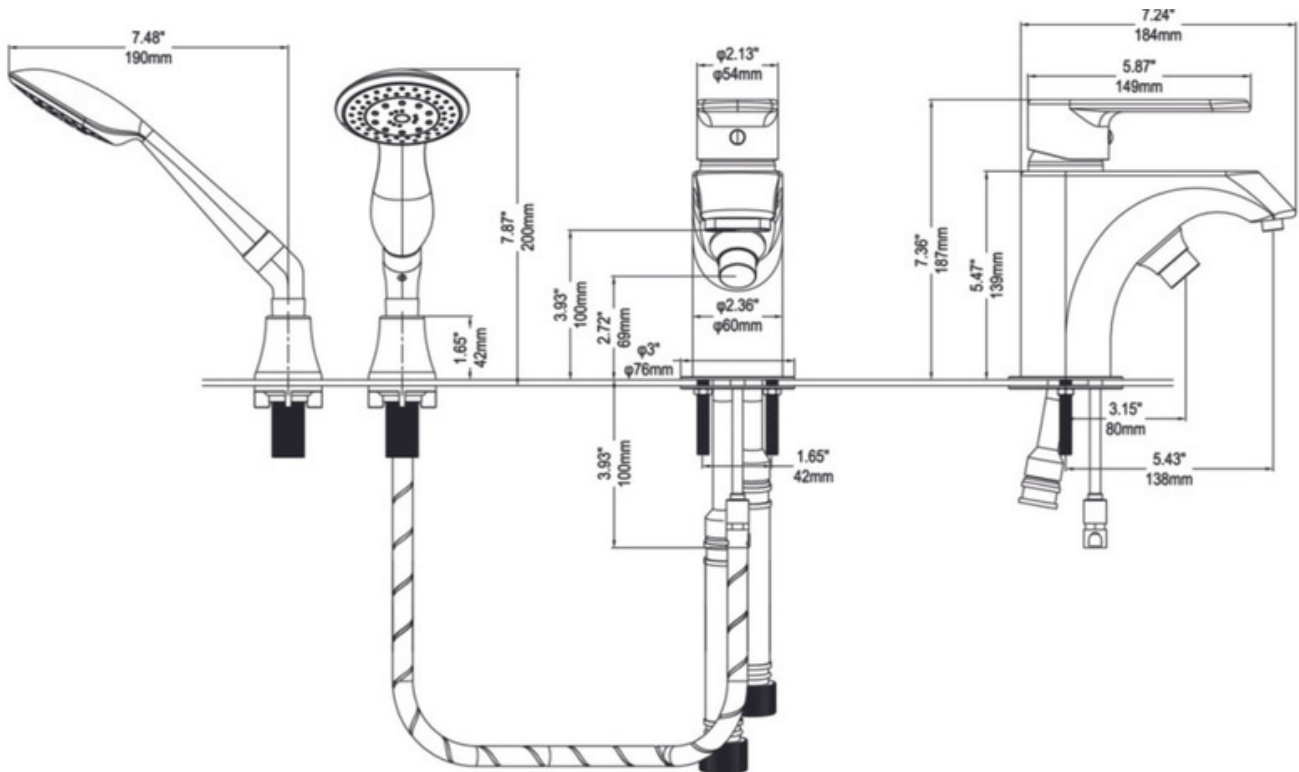
Cartridge

- 40mm high flow cartridge design
- Nonmetallic/nonferrous and stainless-steel material

Standards

- Third party certified to meet: CSA B125.1, ASMEA112.18.1, ICC117.1 and all applicable requirements referenced therein
- Certified to ANSI/NSF 61/9
- ADA for lever/handle
- IAPMO R&T UPC certified

NOTE: This faucet is designed to be installed through: 2-1/2" diameter hole for faucet, 1/3" diameter hole for mounting rods, and a 7/8" diagonal hole for the hand shower.



Description

Solid brass spout in a chrome finish with a 5-setting pull out hand shower mixer including a 5' braided hose. Two 3/4" 5' braided stainless-steel supply lines are included along with Cold/Hot levers with a diverter for the hand mixer.

Flow

- Hand shower is limited to 1.9 GPM (7.5L/min)
- Faucet fill rate designed for 18 GPM (68.1L/min)

Cartridge

- 40mm high flow cartridge design
- Nonmetallic/nonferrous and stainless-steel material



Ella 5 Piece Fast-Fill Faucet Contents

